



20EVP-A SERIES

Vertical In-Line Self-Priming Centrifugal Pumps
for Petroleums and Solvents



STANDARD UNIT INCLUDES:

PUMP: Heavy-duty cast iron construction, with 2" NPT female threaded, in-line suction and discharge ports. This compact, vertical design is self-supporting and requires a minimum of floor space.

The self-priming feature allows the pump to be mounted above the liquid and suction lifts of 10' to 20' can be achieved, depending on the liquid and the pump model. Diffuser priming eliminates the need for a check valve and reduces radial loads insuring longer bearing life.

These pumps are sealed by a self-lubricating, Viton mechanical shaft seal. When used on a suction lift any leakage that may occur will be

down into the pump rather than up the motor shaft as the seal is on the suction side of the impeller.

MOTOR: Single phase motors are 60 cycle, 115/230 volt, except 2 HP explosion proof motors which are 230 volt only. Three phase motors are 60 cycle, 230/460 volt and all are 3450 RPM motors. All explosion proof motors are Class I, Group D, Code: T3B.

OPTIONAL MOUNTING: All models fit the Marlow Pumps lightweight, two wheel chassis. Kit illustrated in Section 800.

OPTIONAL SEAL: Kalrez mechanical seals are available. Contact factory for more information.



PERFORMANCE:

CAPACITY IN U.S. GALLONS PER MINUTE											
PUMP MODEL	SIZE	TOTAL HEAD IN FEET									
		10	20	30	40	50	60	70	80	90	100
20EVP	9A	—	112	93	72	23	—	—	—	—	—
	10A	—	—	63	58	51	36	12	—	—	—
	11A	—	103	94	84	72	55	15	—	—	—
	12A	—	115	108	100	90	78	65	41	—	—
	17A	—	121	120	116	110	102	91	77	60	32

NOTE: Capacities listed are for 5 ft. dynamic suction lift. With higher lifts, capacities will be lower and on flooded suction, capacities will be higher.

MAXIMUM STATIC SUCTION LIFT					
COLD, CLEAR, WATER AT SEA LEVEL					
MODEL	9A	10A	11A	12A	17A
S.L. in Feet	12	14	11	20	20

STANDARD CONSTRUCTION

Casing	—	Close Grained Cast Iron
Base	—	Close Grained Cast Iron
Impeller	—	Nickel Plated Cast Iron
Diffuser	—	Nickel Plated Cast Iron
Shaft Seal	—	5/8" Viton, Stainless and Brass, Self-Lubricating

SPECIFICATIONS

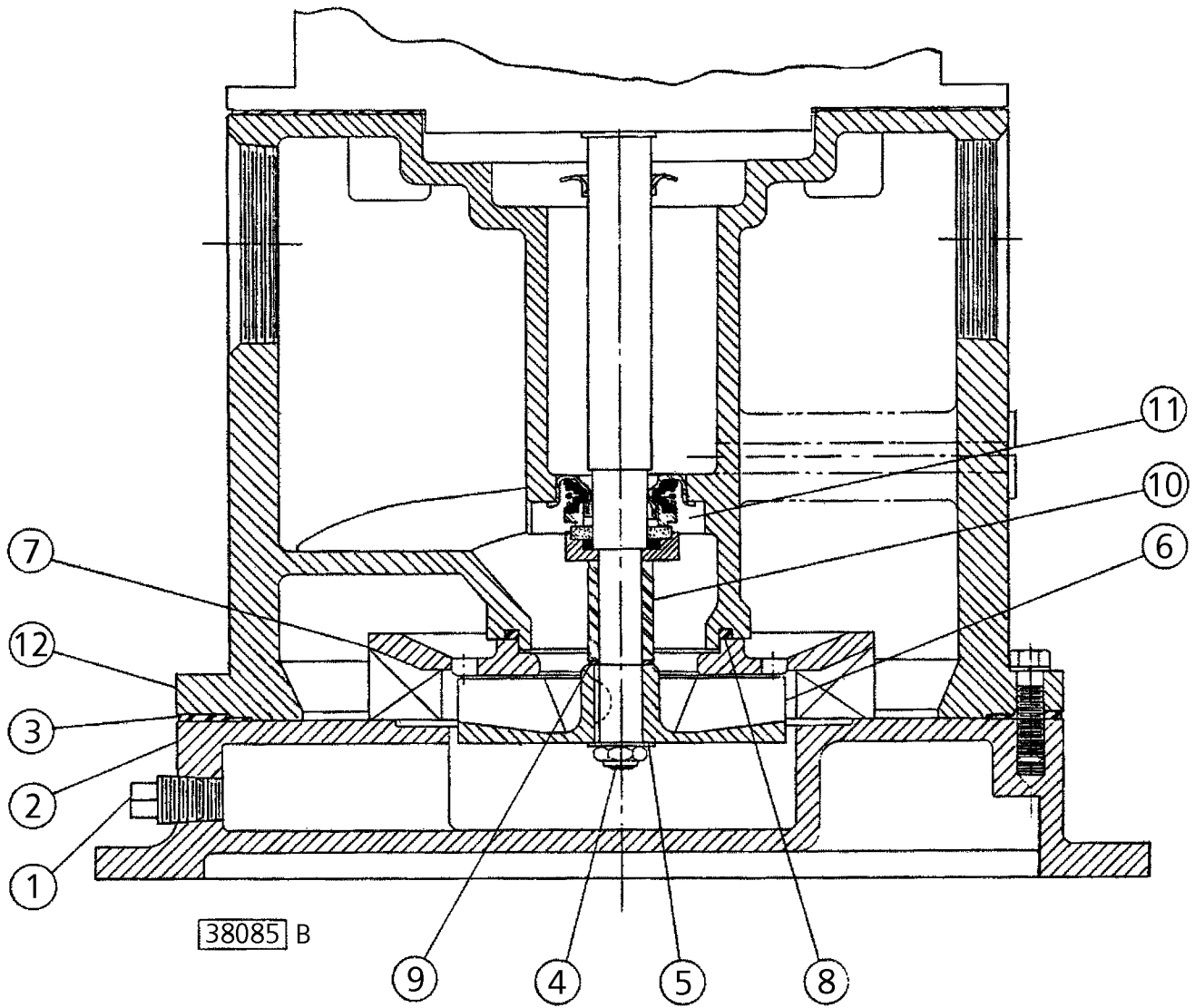
Pump Tank Capacity	—	1 Gallon
Priming Connection	—	1" (Plugged)
Drain Connection	—	3/8" (Plugged)
Working Pressure	—	100 PSI

Elastomers — Model EVP — Viton

TYPE IMPELLER AND SOLIDS SIZE

PUMP SIZES					
TYPE IMPELLER	9A	10A	11A	12A	17A
	OPEN	CLOSED			
Maximum Size Solids Handled	7/16"	3/16"	3/16"	3/16"	3/16"

CROSS SECTION:



LEGEND

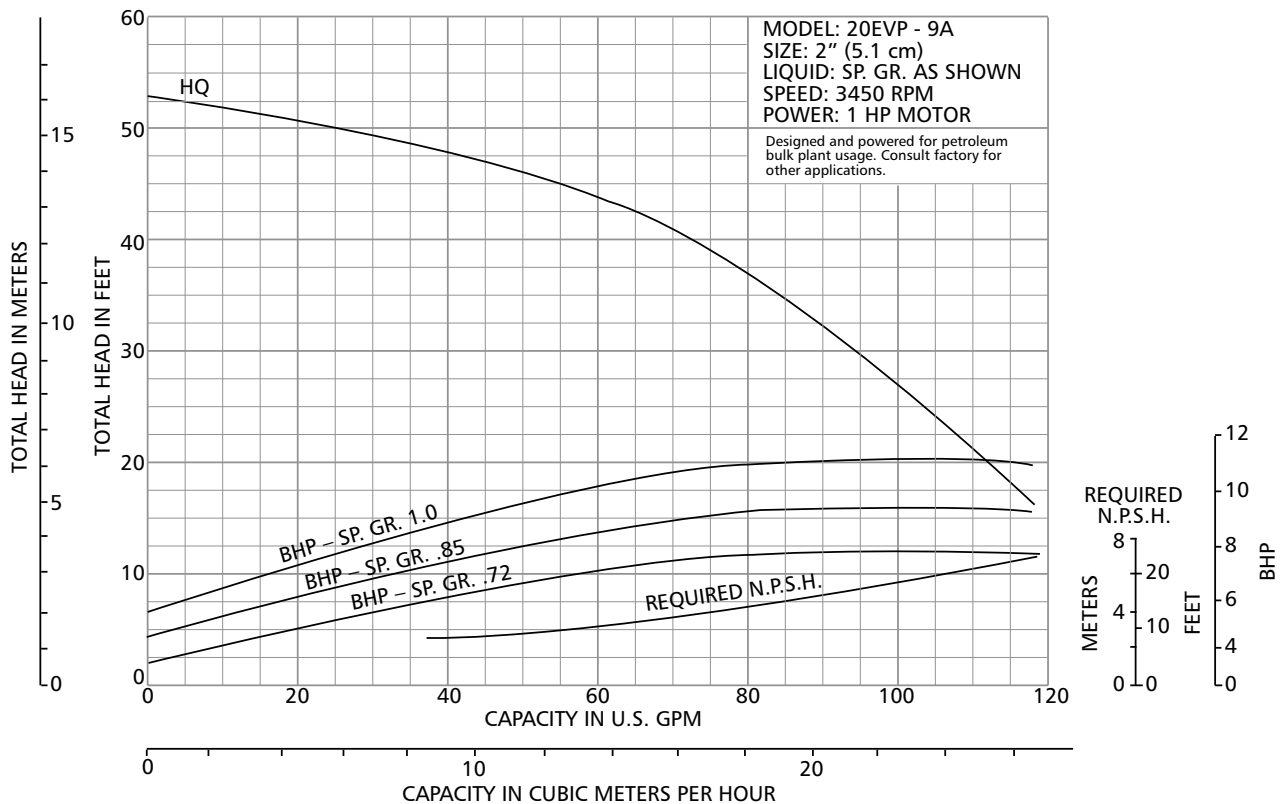
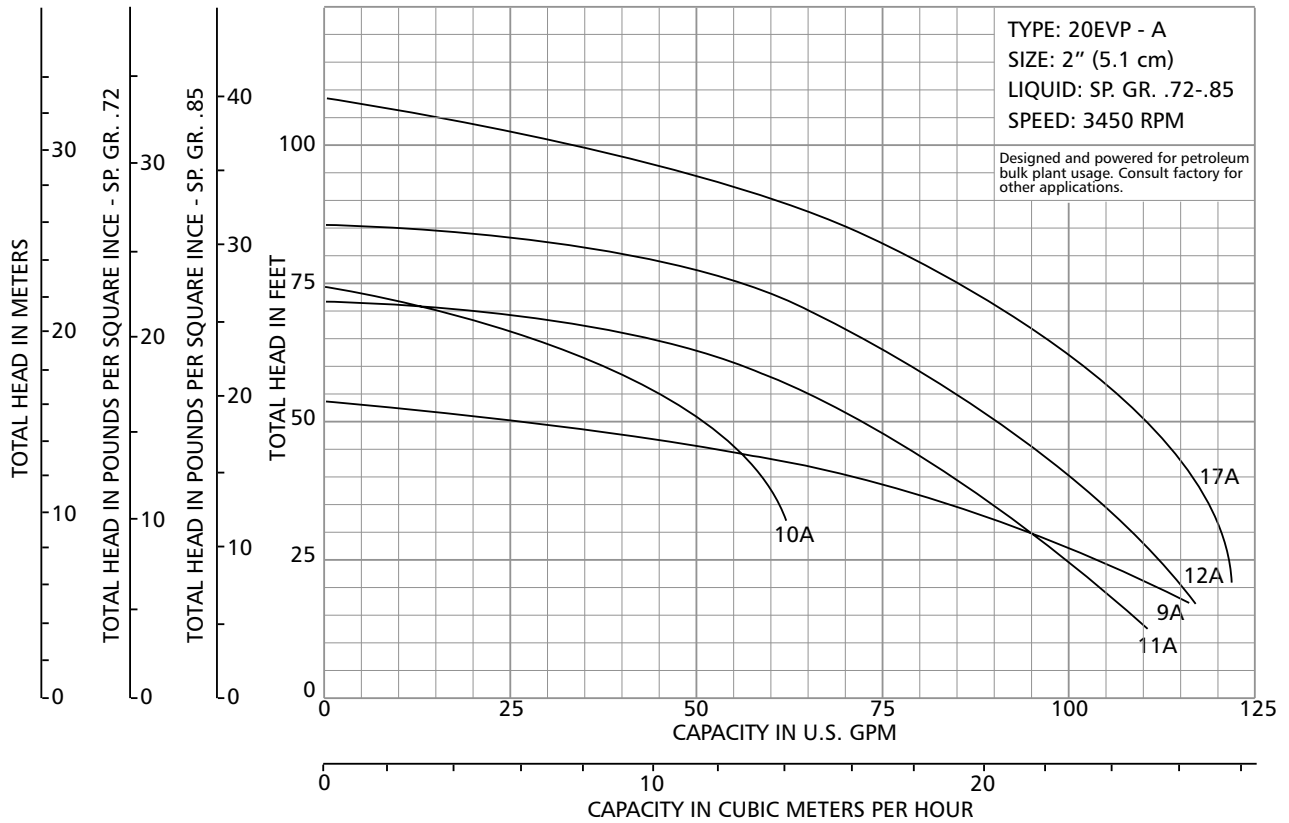
20EVP CROSS SECTION			
Key	Description	Key	Description
1	Drain Plug	7	Diffuser
2	Cover	8	Gasket, Diffuser
3	Gasket, Cover	9	Impeller Shim
4	Impeller Nut	10	Impeller Spacer
5	Impeller Washer	11	Seal Assembly
6	Impeller	12	Tank



EVP-A UNITS DESIGNED AND POWERED FOR: Petroleum Bulk Plant Usage

PERFORMANCE CURVES

The performance curves shown in this manual and other published literature were taken from actual tests of standard production pumps and reflect an average performance of the pumps indicated.



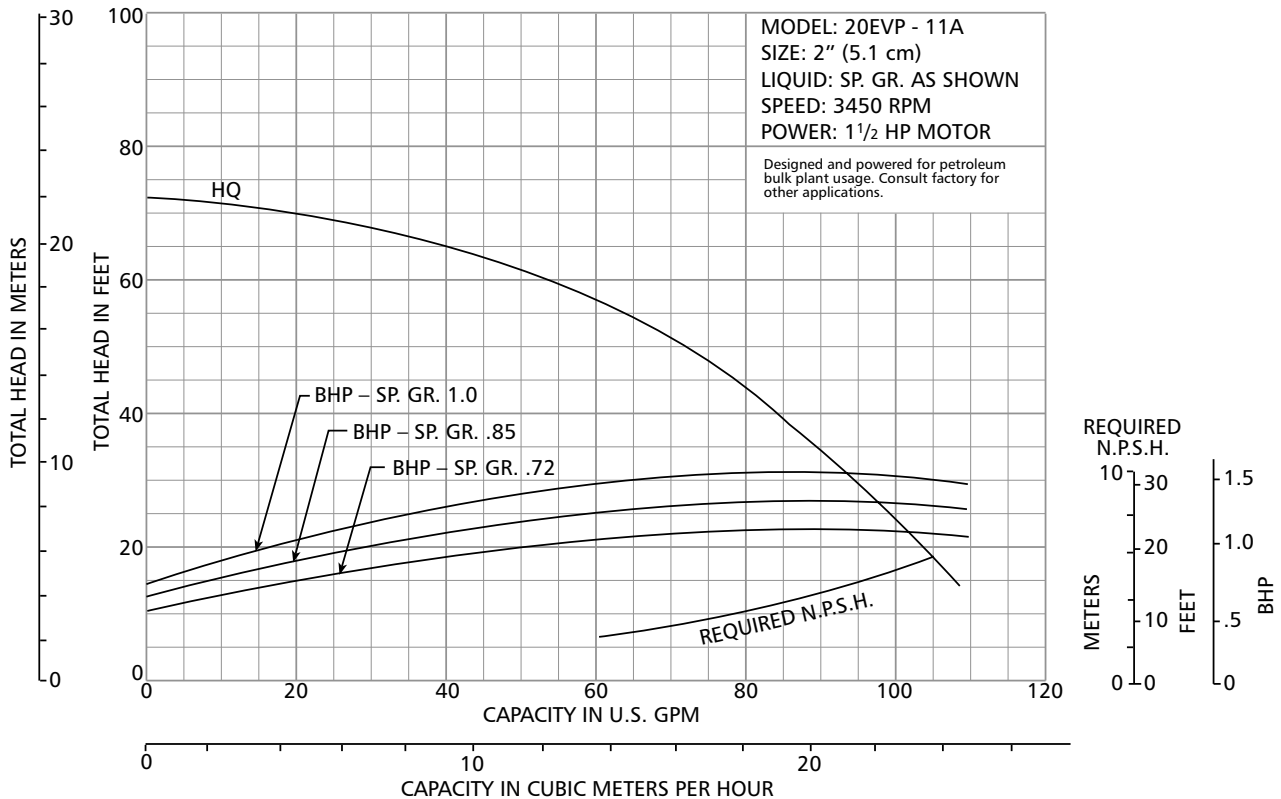
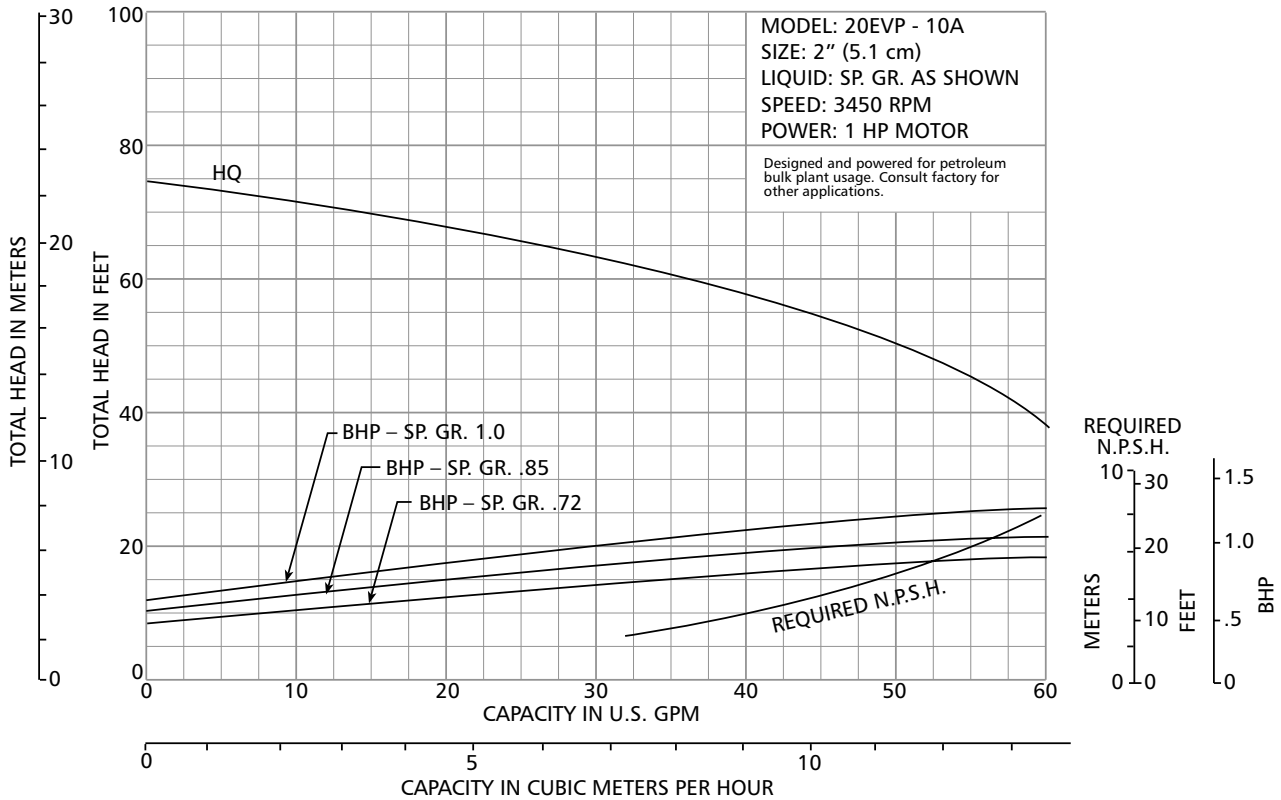
Marlow Pumps

MARLOW PUMPS RESERVES THE RIGHT TO MAKE CHANGES IN DESIGN, MATERIALS AND PRICES WITHOUT NOTICE.

EVP-A UNITS DESIGNED AND POWERED FOR: Petroleum Bulk Plant Usage

PERFORMANCE CURVES

The performance curves shown in this manual and other published literature were taken from actual tests of standard production pumps and reflect an average performance of the pumps indicated.



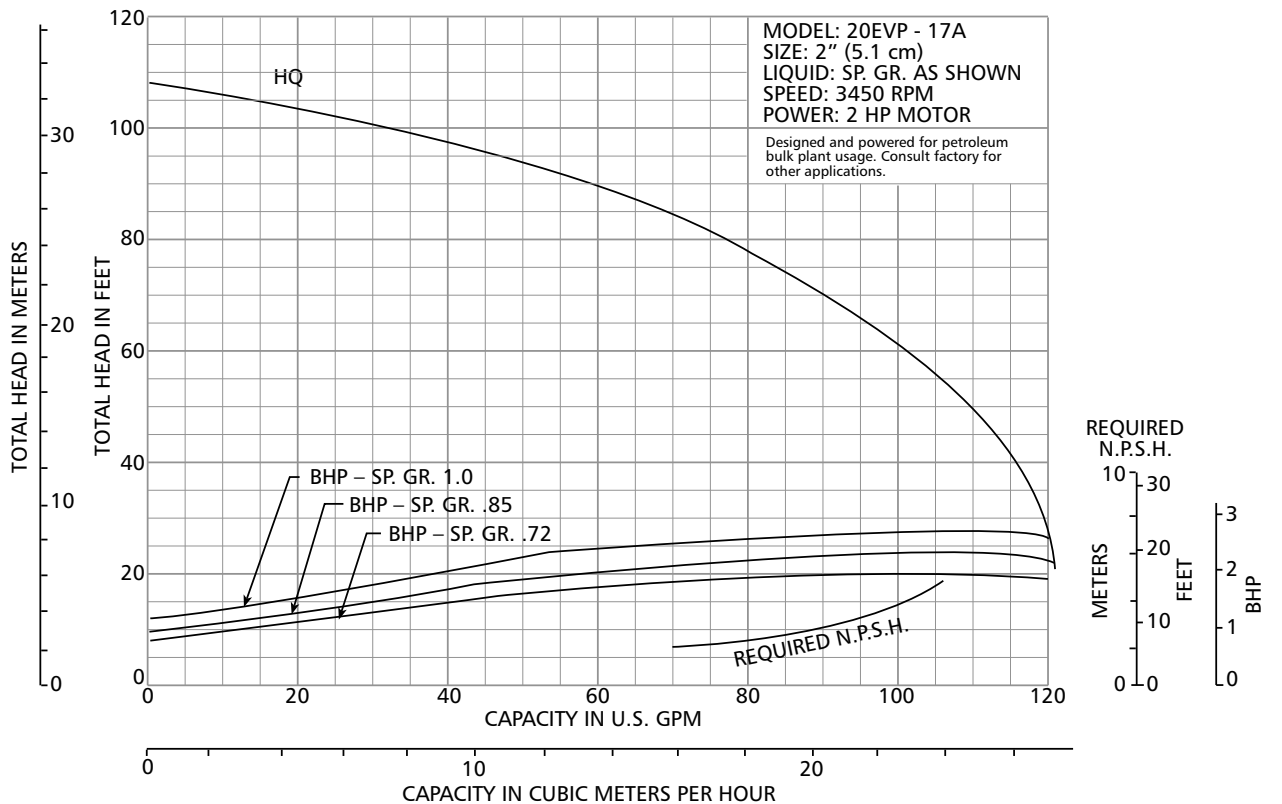
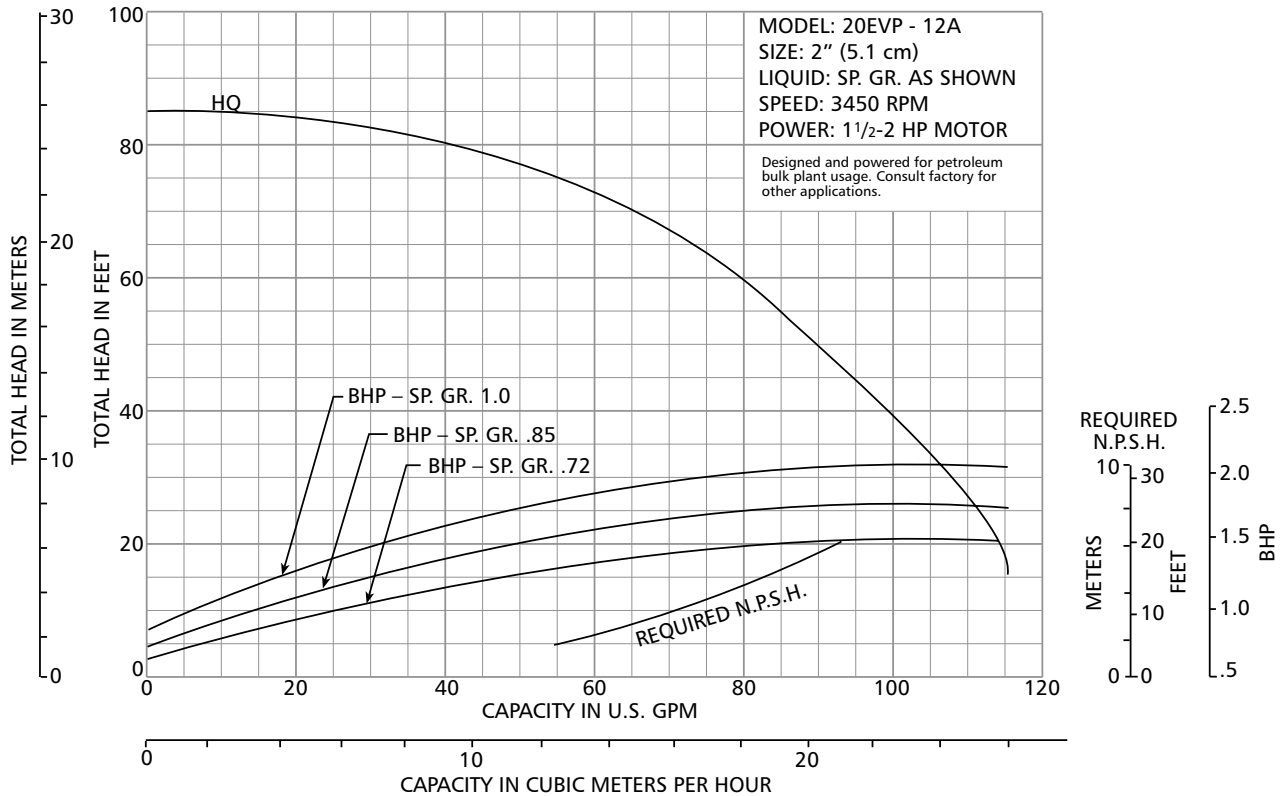
Marlow Pumps

MARLOW PUMPS RESERVES THE RIGHT TO MAKE CHANGES IN DESIGN, MATERIALS AND PRICES WITHOUT NOTICE.

EVP-A UNITS DESIGNED AND POWERED FOR: Petroleum Bulk Plant Usage

PERFORMANCE CURVES

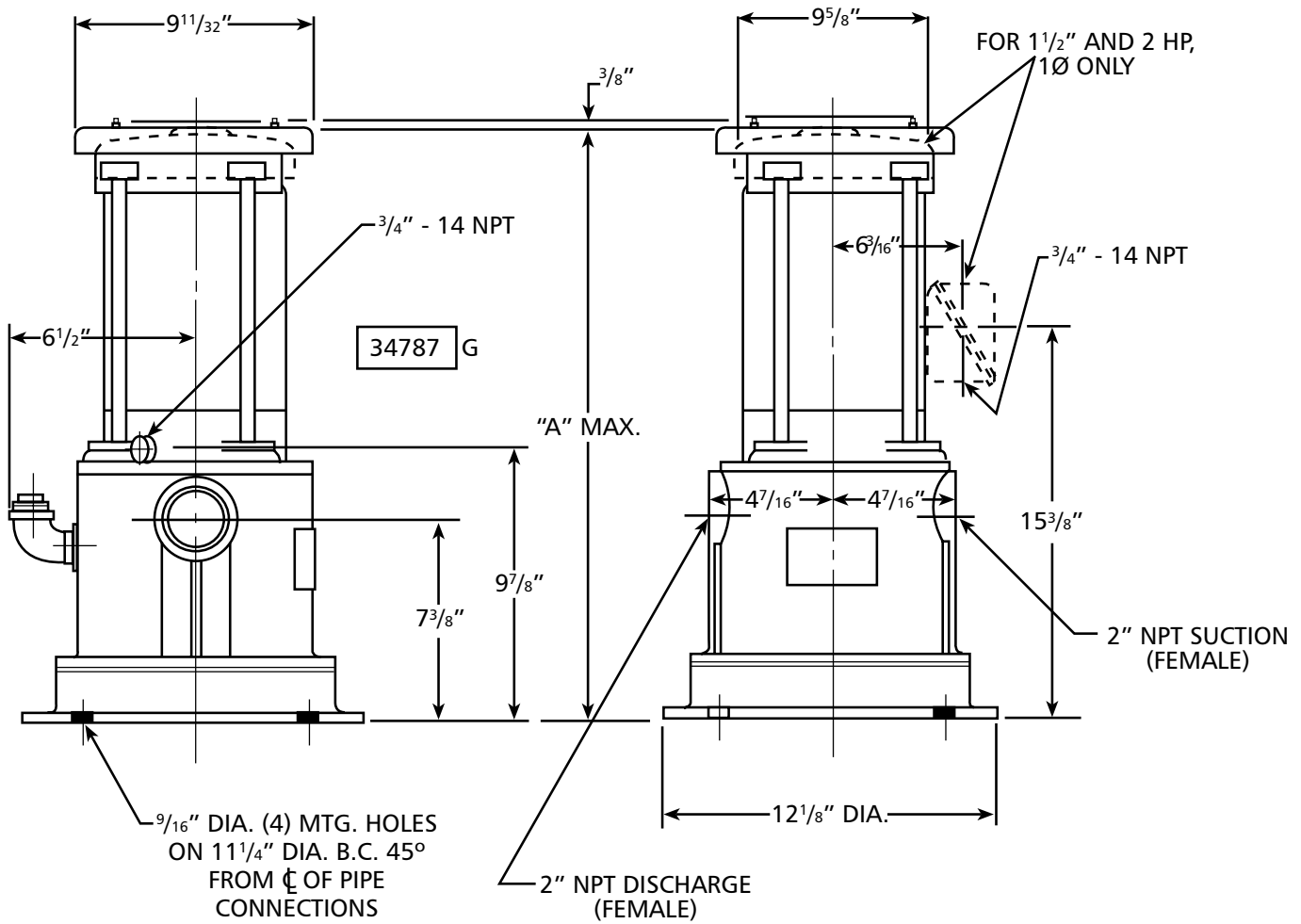
The performance curves shown in this manual and other published literature were taken from actual tests of standard production pumps and reflect an average performance of the pumps indicated.



Marlow Pumps

MARLOW PUMPS RESERVES THE RIGHT TO MAKE CHANGES IN DESIGN, MATERIALS AND PRICES WITHOUT NOTICE.

DIMENSIONS:



Dimensions shown in inches.

ALL MOTORS 56 FRAME EXCEPT 1 1/2" AND 2 HP, 1Ø WHICH ARE 184 FRAME

EXPLOSION PROOF MOTORS			
HP	Phase	Cycle	A
1	1	60	20 1/2"
	3		19 1/2"
1 1/2	1		26 1/8"
	3		20 1/2"
2	3		26 1/8"
			21 7/8"

Dimensions may vary by manufacturer.

NOTE: These dimensions are not to be used for construction purposes without formal factory approval.



Marlow Pumps

MARLOW PUMPS RESERVES THE RIGHT TO MAKE CHANGES IN DESIGN, MATERIALS AND PRICES WITHOUT NOTICE.



Marlow Pumps is a brand of ITT Water Technology, Inc.
- a subsidiary of ITT Industries, Inc.

Marlow Pumps and the ITT Engineered Blocks Symbol are
registered trademarks and tradenames of ITT Industries.

PRINTED IN U.S.A.

SPECIFICATIONS ARE SUBJECT TO CHANGE WITHOUT NOTICE.

Marlow Pumps

